

DIPTAPE™ Indicators – Alloy Versions

ORDER IT!
Ordering is Easy! See Page D-27.
Easy online ordering too!

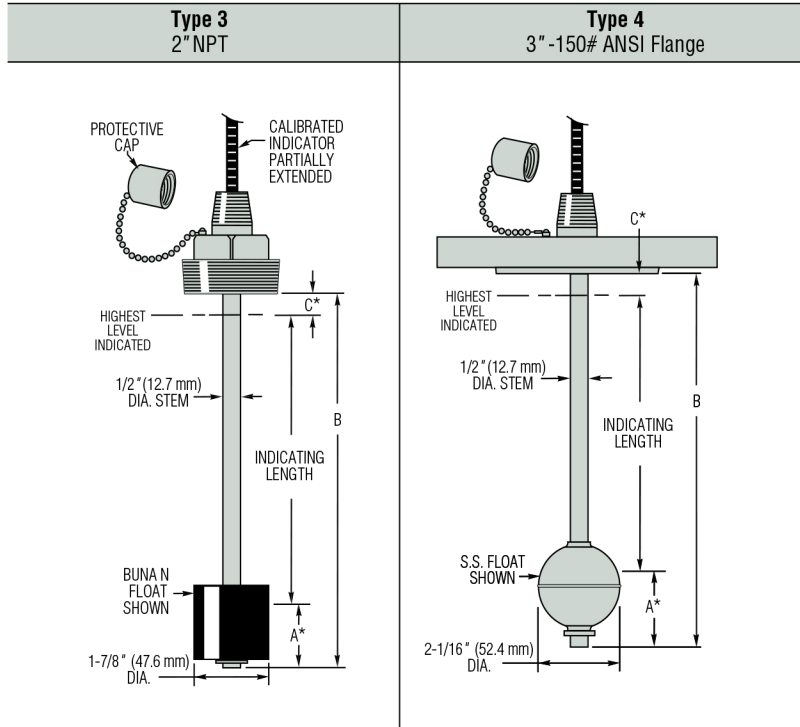
- ▶ Temperatures to 300°F (148°C)
- ▶ Pressures to 750 PSI (52 bar)

Rugged brass or stainless steel units are ideal for use in water and oils. Select these units for best temperature and pressure capabilities.

1. Mounting Types

“B” Dimension
(Length Overall):
Indicating Length + A + C

Note: Dimensions “C” and “A”
are dependent on float selected.
See Float Types below.



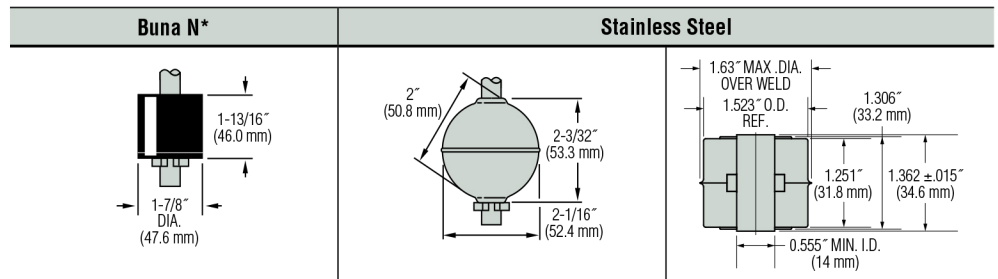
Stem and Mounting Material	Brass or 316 Stainless Steel	316 Stainless Steel Stem with Carbon Steel or 316 Stainless Steel Flange
Indicating Length**	6" to 72" (15.2 cm to 182.9 cm)	
Std. Indication Markings	1/16" or 1 mm increments	

* Dimensions listed below, under “Float Types.”
** For longer lengths, please contact factory.



LEVEL INDICATORS – VISUAL

2. Float Types



	Buna N*	Stainless Steel	
Float Part Number	73710	73709	138935
Min. Liquid Specific Gravity	0.45	0.67	0.67
Operating Temperatures	Oil: -40°F to +230°F (-40°C to +110°C) Water: to 180°F (+82.2°C)	-40°F to +300°F (-40°C to +148.8°C)	-40°F to +220°F (-40°C to +104°C)
Operating Pressure, Max.	300 psi (21 bar) max. @ 77°F (25°C)	750 psi (52 bar) Mounting Type 3 150 psi (10 bar) Mounting Type 4	150 psi (10 bar)
“A” Dimension (From Mounting Types)	1-1/4" (31.7 mm)	1-3/8" (34.9 mm)	1" (25.4 mm)
“C” Dimension (From Mounting Types)	11/16" (17.5 mm)	3/4" (19.05 mm)	9/16" (14.3 mm)

*Other Wetted Material: Hysol.

FAX IT!
860-747-4244

Photocopy This Form
 Use one form for each product type you are selecting.
 This form may also be completed online at
gemssensors.com for RFQ.

This is a Request for a Quote
 Order P.O.# _____

Name _____

Company _____

Quantity Needed _____

Street _____

Date Required ___/___/___

City _____ State ___ Zip _____

Shipping Method: _____

Phone (____) _____

Partials Accepted: Yes
 No

Fax (____) _____

DIPTAPE Level Indicators

Application Environment Conditions

This information is essential to the accurate and proper operation of your DipTape Level Indicators. Please complete fully and accurately.

- 1. **Liquid Media:** _____
- 2. **Pressure:** Minimum _____ psig Maximum _____ psig
- 3. **Temperature:** Minimum _____ °F Maximum _____ °F
- 4. **Specific Gravity:** Minimum _____ Maximum _____
- 5. **Viscosity:** _____ SSU
- 6. **Tank Material:** _____
- 7. **Tank Depth:** _____

1. Mounting Type:

- Type B Type C
- Type 3 Type 4

2. Material:

- PVC PVDF Polypropylene
- Brass 316 Stainless Steel

Flange – Alloy Version:

- 316 Stainless Steel Carbon Steel

3. Float Types:

- PVC PVDF Polypropylene
- Buna N 316 Stainless Steel

4. Stem Length (Length Overall) "B"

Dimension B = _____ inches
 centimeters

Max. indicating length 72".
 Other lengths, consult factory.

Please contact Gems for any configuration or special requirements not covered on this form. **800-378-1600**

Quote: \$ _____ Date Quoted: ___/___/___

